

# 650-P *Self-Powered Reinforcement Subwoofer*

## FEATURES



Integrated control electronics and amplifiers



TruPower™ Limiting (TPL)



Intelligent AC™ System



Compatible with the Remote Monitoring System™ (RMS)



High power



Extremely low distortion



Reliable and durable

*Superior engineering for the art and science of sound.*



**Meyer Sound**



The 650-P is a self-powered, tuned, bass-reflex subwoofer that uses two 18" drivers, capable of long excursion with minimal distortion. The unit extends the lower range of Meyer Sound reinforcement systems by providing a frequency response of 28 to 120 Hz. Being self-powered, the amplifiers and control electronics are fully contained within the speaker enclosure.

The 650-P incorporates the Intelligent AC system, which performs automatic voltage selection, EMI filtering, soft current turn-on, and surge suppression. All that is

required to install the unit is an audio input signal and an AC power connection.

The unit uses Tru Power Limiting(TPL) to provide driver protection under extreme operating conditions. This prevents overheating, and ensures graceful handling of high power applications.

The amplifier is designed to give reliable, consistent, and outstanding performance. If servicing is required, it is facilitated by the modular design of the unit; the entire power/amplifier module can be accessed and replaced, if necessary.

# 650-P SPECIFICATIONS

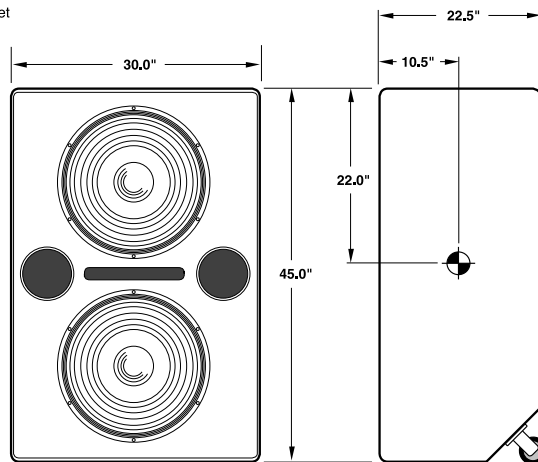
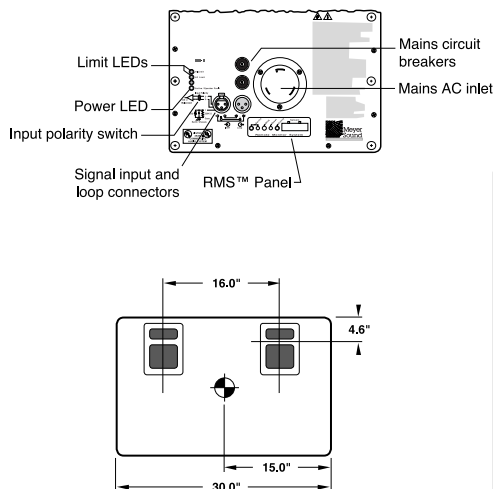
<b>ACOUSTICAL<sup>1</sup></b> (EACH LOUDSPEAKER)	Frequency Response <sup>1</sup> ±4 dB from 28 Hz to 100 Hz Phase Response <sup>1</sup> ±30° from 45 Hz to 145 Hz Maximum SPL <sup>1</sup> 136 dB @1 meter Dynamic Range >110 dB
<b>COVERAGE</b>	(-6 dB points) 360°H ; 180°V
<b>TRANSDUCERS</b>	Low Frequency 18" diameter MS-18 cone (2)
<b>AUDIO INPUT</b>	Type 10kΩ impedance, electronically balanced Connector XLR (A-3) male and female Nominal input level +4 dBu
<b>AMPLIFIERS</b>	Type Complementary power MOSFET output stages (audio class AB/H) Burst capability <sup>2</sup> 1240 watts (620 watts/channel) THD, IM, TIM < .02 %
<b>AC POWER</b>	Connector 250V NEMA L6-20P (twistlock) inlet or IEC 309 male inlet <sup>3</sup> Automatic voltage selection 95-125 VAC and 208-235 VAC; 50/60 Hz <sup>4</sup> Operational voltage range Turn on: 85 VAC; Turn off: 134 VAC; 50/60 Hz Turn on: 165 VAC; Turn off: 264 VAC; 50/60 Hz Max.Continuous RMS Current (>10 sec) @115 V: 8A @230V: 4A @100V: 10A Burst RMS Current (<1 sec) @115 V: 15A @230V: 8A @100V: 18A Max Peak Current During Burst @115 V: 22Apk @230V: 11Apk @100V: 25Apk Soft-Current Turn-on Inrush current <12A@115V
<b>PHYSICAL</b>	Dimensions 30" W x 45" H x 22 1/2" D Weight 221 lbs (100 kg) / shipping: 250 lbs (113 kg) Enclosure Multi-ply hardwood Finish Black textured Protective Grill Perforated metal grill, charcoal-grey foam

## NOTES

1. Subject to half space loading, measured with one-third octave frequency resolution in fixed ISO bands.
2. Nominal 8Ω resistive load, pink noise, 100V peak.
3. Other connectors available. For European installations, an IEC 309 connector (16A) can be installed.
4. The unit is rated at 88-125V and 182-235V, 50/60 Hz, to satisfy EC standards for -10% to 6% AC line voltage.

## PHYSICAL DIMENSIONS

ALL UNITS IN INCHES



Meyer Sound Laboratories has devoted itself to designing, manufacturing, and refining components that deliver superb sonic reproduction. Every part of every component is designed and built to exacting specifications and undergoes rigorous, comprehensive testing in the laboratories.

Research remains an integral, driving force behind all production. Meyer strives for sound quality that is predictable and neutral over an extended lifetime and across an extended range.



650-P - 04.036.013.01B

**MEYER SOUND LABORATORIES, INC.**  
 2832 San Pablo Avenue  
 Berkeley, CA 94702  
 tel: 510.486.1166  
 fax: 510.486.8356  
 e-mail: techsupport@meyersound.com  
 http: www.meyersound.com