

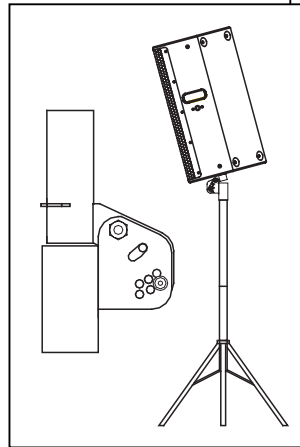
Flexible Pitch for universal use on speaker stands

Features

- ▶ Speaker tilt connector for universal use
- ▶ For speaker stands with tube diameter of 35 mm
- ▶ Angle adjustable from 0° to 25°
- ▶ Secured by unique pin with locking function and safety rope
- ▶ To slip on speaker stand, to insert a speaker
- ▶ Heavy duty steel material
- ▶ Maximum load capacity of 40 kg
- ▶ Premium quality for professional users
- ▶ Extremely easy to use

Applications

- ▶ Mobile use and fixed installation
- ▶ Suitable for speaker cabinets up to a weight of 40 kg



LOCKING PIN
and safety rope INCLUDED



The FP 1 tilt connector is designed for universal use between stands and speaker cabinets. Due to the unique design and the pin with locking function the FP1 is absolutely stable, reliable and extremely easy to use. Just select an angle from 0° to 25° (in steps of 5°) and put it onto your speaker stand. The FP 1 tilt connector can be used for any speaker with a maximum load of 40 kg. This enables to use it for most speakers up to a size of 15". The enclosure is painted with black lacquer.

Specifications

Article number:	# 80035
Type:	Flexible Pitch for speaker stands with a tube diameter of 35 mm
Angle of Inclination:	0° to 25° (in steps of 5°)
Height:	183 mm
Material:	Steel
Type:	Black
Max. Load Capacity:	40 kg
Weight:	0.78 kg

